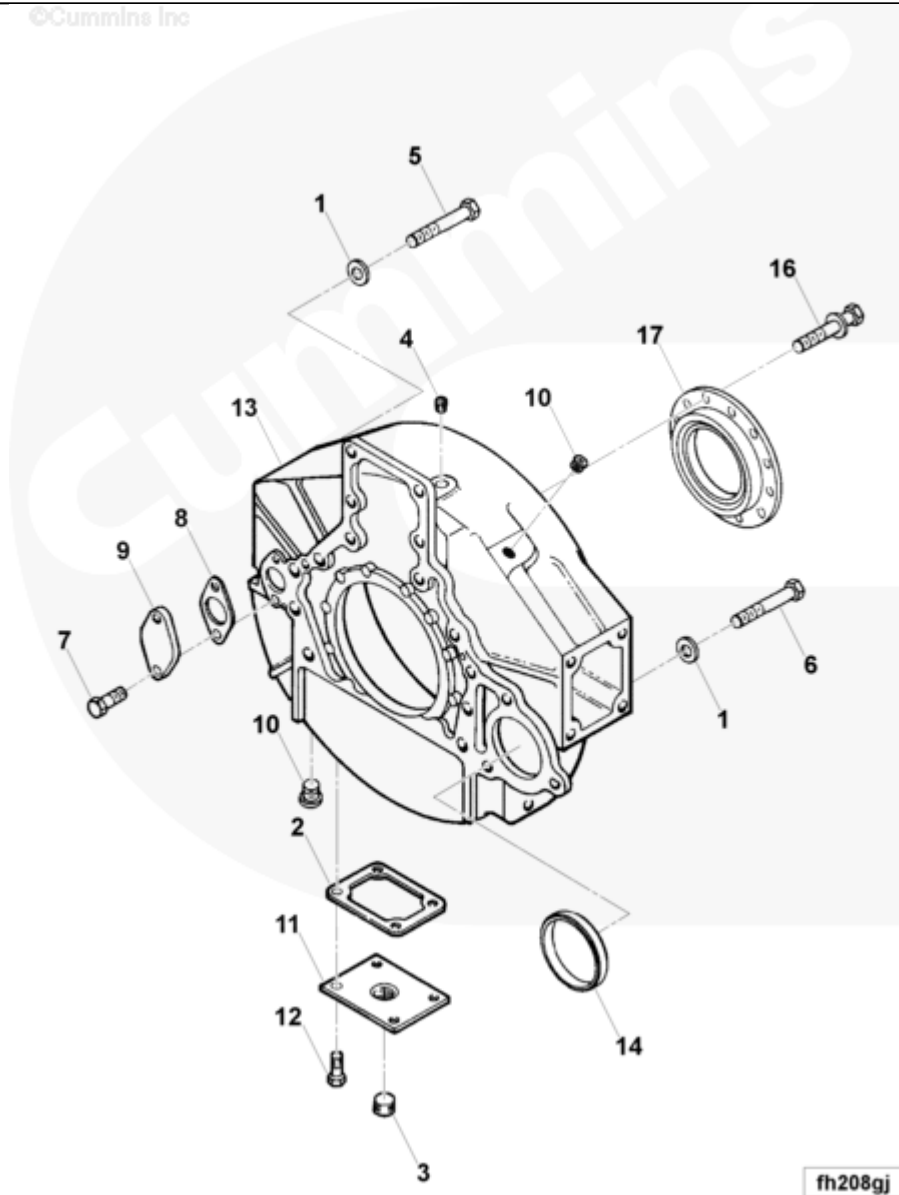




# Parts Catalog - Option Detail


Electronic Parts Catalog - Option Detail				
Option	Group	Graphic	Film Card	Date
FH2156-08	16.01	fh208gj	II	20-MAY-05
<b>Engines</b>	ISM CM570, ISM CM570/870, ISM CM875, ISM CM876, ISM CM876 E, ISM11 CM876 M103, ISM11 CM876 SN, M11 CELECT, M11 CELECT PLUS, M11 MECHANICAL, QSM11 CM570, QSM11 CM876			

©Cummins Inc



[SMALL](#) | [MEDIUM](#) | [LARGE](#)

Cart	Ref No	Part Number	Part Description	Required	Remarks
<a href="#">View My Cart</a>					
		<a href="#">FH2156-08</a>	Flywheel Housing		

					Flywheel Housing
					Flywheel Hsg SAE Size or
					Type: 1
					Flywheel Housing Material:
					Aluminum
					Engine Mount Type: High and
					Low Vertical Pads
					Transmission Mounting Hole
					Nomenclature: Metric (mm)
					Starting Motor Mounting
					Screws: Metric
					Starter Center Distance:
					275.59 (10.85")
					Starter Bore Diameter: 92.06
					Sleeve
					Clutch Type Provision: Dry
					Sensor Mounting Hole
					Nomenclature: Quad 2, 3/4 -
					16 Quad 3, 3/4 - 16 Quad 4,
					3/4 - 16
					Rear Gear Drive: No
					Starter Location: 3rd
					Quadrant
					Sensor Mounting Hole Count:
					Three
					Engine Position: Vertical
					Standard
	1	127316	Plain Washer	14	5/8 in.

<input type="checkbox"/>	2	<a href="#">182459</a>	Water Header Cover Gasket	1	
<input type="checkbox"/>	3	<a href="#">3008469</a>	Pipe Plug	1	3/4 NPT
<input type="checkbox"/>	4	<a href="#">3013786</a>	Pipe Plug	1	3/8 NPT.
<input type="checkbox"/>	5	<a href="#">3018006</a>	Hexagon Head Cap Screw	2	M16 x 2.00 x 45
<input type="checkbox"/>	6	<a href="#">3022148</a>	Hexagon Head Cap Screw	12	M16 x 2.00 x 55
<input type="checkbox"/>	7	<a href="#">3025802</a>	Hexagon Head Cap Screw	2	M8 x 1.25 x 20
<input type="checkbox"/>	8	<a href="#">3026134</a>	Cover Plate Gasket	1	
<input type="checkbox"/>	9	<a href="#">3026135</a>	Access Hole Cover	1	
<input type="checkbox"/>	10	<a href="#">3063779</a>	Threaded Plug	3	3/4 - 16 UNF
<input type="checkbox"/>	11	<a href="#">3161671</a>	Cover Plate	1	
<input type="checkbox"/>	12	<a href="#">3335044</a>	Hexagon Head Cap Screw	4	M10 x 1.50 x 25.
<input type="checkbox"/>		<a href="#">3417501</a>	Flywheel Housing	1	
	13	<a href="#">3417500</a>	Flywheel Housing	1	
<input type="checkbox"/>	14	<a href="#">3819822</a>	Sleeve	1	
<input type="checkbox"/>	16	<a href="#">4083121</a>	Hexagon Flange Head Cap Screw	12	M8 x 1.25 x 20
	17	<a href="#">4923644</a>	Oil Seal	1	Serviced as 4089542
<input type="checkbox"/>		<a href="#">4089542</a>	Rear Seal Crank Kit	1	Dry Clutch/Non- REPTO
		<a href="#">4923644</a>	Oil Seal	1	Serviced as 4089542
<input type="checkbox"/>		<a href="#">4083121</a>	Hexagon Flange Head Cap Screw	12	M8 x 1.25 x 20